

# HINO 258<sub>ALP</sub>

4 x 2 CONVENTIONAL

GVW: 25,550 lbs.

BBC: 108"

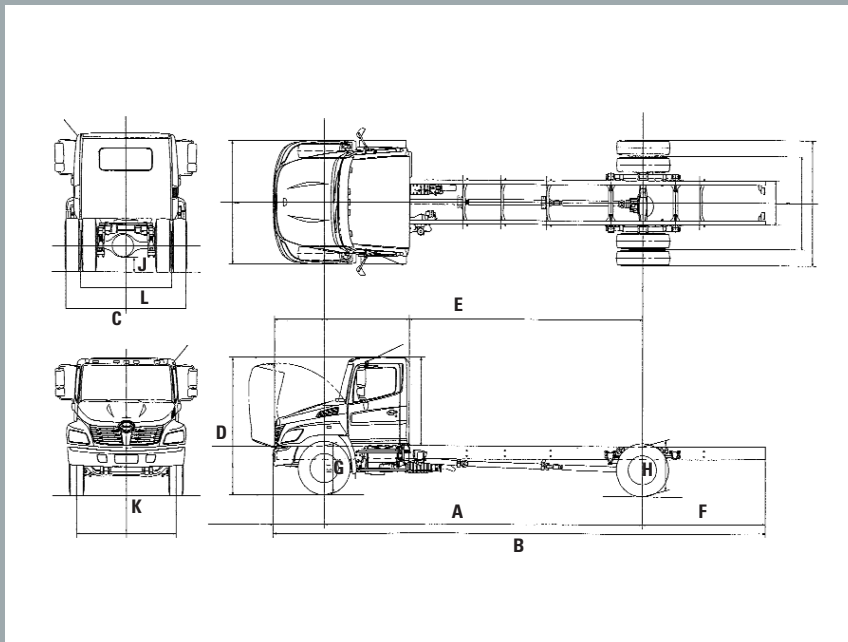
ENGINE MODEL: J08E-TV (Turbo Intercooled)

## DIMENSIONS (On standard specification)

Wheelbase/code A in.	175.0/J	187.0/L	205.0/M	212.0/N	217.0/P	235.0/R	253.0/T	271.0/V
Overall length B in.	278.6	302.6	320.6	354.6	354.6	372.6	390.6	390.6
Overall width C in.	95.7	95.7	95.7	95.7	95.7	95.7	95.7	95.7
Overall height D in.	102.6	102.6	102.6	102.6	102.6	102.6	102.6	102.6
Cab to axle E in.	107.6	119.6	137.6	144.6	149.6	167.6	185.6	203.6
Rear overhang F in.	63.0	75.0	75.0	102.0	97.0	97.0	97.0	79.0
Frame height at:								
Front axle G in.	32.7	32.7	32.7	32.7	32.7	32.7	32.7	32.7
Rear axle H in.	35.6	35.6	35.6	35.6	35.6	35.6	35.6	35.6
Road clearance (at diff. axle) J in.	7.1	7.1	7.1	7.1	7.1	7.1	7.1	7.1
Tread:								
Front K in.	79.5	79.5	79.5	79.5	79.5	79.5	79.5	79.5
Rear L in.	72.6	72.6	72.6	72.6	72.6	72.6	72.6	72.6
Turning radius:								
Tire ft.	47.9	50.9	55.3	57.0	58.2	62.6	67.0	71.5
Wall to wall ft.	51.3	54.2	58.6	60.3	61.6	66.0	70.4	74.8

## CHASSIS WEIGHTS (On standard specification)

AT	Total weight lb.	9,080	9,140	9,250	9,370	9,370	9,440	9,470	9,510
	Front axle lb.	5,815	5,855	5,955	5,985	5,985	6,065	6,110	6,190
	Rear axle lb.	3,265	3,285	3,295	3,385	3,385	3,375	3,360	3,320



## ENGINE

<b>MODEL</b>	<b>HINO J08E-TV</b>
Type	Diesel 4-cycle, 6-cylinder in-line, water-cooled
Combustion system	Direct injection type
Max. output (SAE Gross)	220 hp at 2,500 rpm
Max. torque (SAE Gross)	520 lb.-ft. at 1,500 rpm
Bore and stroke	4.41 x 5.12 in.
Piston displacement	7.680 L
Fuel injection pump	Radial plunger (HP-4)
Governor	Electronically controlled
Intake system	Turbocharged and intercooled
Air cleaner	Paper filter type (DONALDSON)
Fan clutch	Bimetal thermostat sensor regulates fan speed
Glow plugs	Standard
Air compressor	Single cylinder, 10.0 cfm @ 1,250 rpm

## POWERTRAIN & PERFORMANCE

25,550 lbs. GVW & 245/70R19.5 tires		
Powertrain	☐ STD.	
Max. speed mph	84	
Startability (tan.θ) %	31.8	
Transmission	Model	Allison 2200 RDS
	Type	Five-speed automatic
Ratios	1st.	3.102
	2nd.	1.811
	3rd.	1.406
	4th.	1.000
	5th.	0.712
	6th.	—
	Rev.	4.492
Rear axle gear ratios	4.110	



# HINO 258ALP

4 x 2 CONVENTIONAL

GVW: 25,550 lbs. BBC: 108"

ENGINE MODEL: J08E-TV (Turbo Intercooled)

## WEIGHT CAPACITIES

Front axle	lbs.	8,000
Rear axle	lbs.	17,500
Front spring	lbs.	8,000
Rear spring	lbs.	17,500

## LIQUID CAPACITIES

Fuel tank	gal./US	52
Cooling system	gal./US	6.08 : ALLISON 2200
Engine oil	qt./US	16.15

## AXLE / SUSPENSION

Front axle	MFS-8 series reversed Elliot, "I" beam, oil-lubricated
Front spring	Taper-leaf springs w/shock absorbers
Rear axle	RS17-145 series Full-floating, single reduction, single-speed by hypoid gears, with oil-lubricated type
Rear spring	Semi-elliptic main and auxiliary helper-leaf spring

## FRAME

Ladder type	Straight C Channel	
Width	in.	34
Yield strength	PSI	80,000
Resisting bending moment (one side)	in.-lbs.	1,031,900 no reinforcement

## STEERING

Type	TRW-TAS65 recirculating ball with tilt and telescopic steering column
------	---

## WHEELS / TIRES

Wheels	19.5 x 7.50 10-stud disc.
Tires	245/70R19.5 (G)
Brand & Pattern	Front rib / Rear lug

## BRAKES

Service brake	Full air, dual circuit, "S" cam type, leading & trailing shoes, with automatic adjustment
Drum diameter x lining width x thickness in.	Front: 15 x 4 x 0.73 Rear: 16.5 x 7 x 0.85
Control	Full air dual circuit with Antilock Brake System (ABS)
Parking brake	Spring brake acting on rear wheels

## CAB EQUIPMENT

Cab construction	All steel welded
Seating	Three-person
Driver's seat	Adjustable reclining, vinyl with air suspension
Passenger's seat	Bench type, vinyl (two passenger)
Seat belts	3-point type (driver and passenger), one 2-point type (center)
A/C	134 Denso
Heater/Defroster	18,357 BTU/h
Mirrors outside rearview	Four; one flat and one convex at each side
Sun visors	Two – flip-down
Overhead compartment	Two with latching doors
Chrome grille	Standard
Windshield	Laminated
Windshield wipers	Dual electric, 2-speed and intermittent
Cup holders	Standard
Cigarette lighter	Standard
Coat hook	One (rear panel)
Door pockets	Two
Cruise control	Standard

## DASH INSTRUMENTATION

Meters and gauges	
Speedometer-mph (km/h)	
Odometer (mile)	
Fuel gauge	
Coolant temperature gauge	
Engine tachometer	
Air pressure gauge, air-brake only	
Warning lamps and buzzers	
Oil pressure warning lamp and buzzer	
Brake pressure warning lamp and buzzer	
Coolant level warning lamp and buzzer	
Battery charging system warning lamp	
High beam indicator lamp	
Turn signal indicator	
Parking brake warning lamp	
Engine control system warning lamp	
ABS warning lamp	
Driver Information Display	
Instant & trip fuel consumption	
DPR monitor	
Maintenance schedules	
Engine/vehicle diagnostics	

## ELECTRICAL EQUIPMENT

Batteries	Two, parallel connection, each 12 V
Capacity	1200 CCA
Alternator	12 V, 100 A, brush Delco
Starter	12 V 2.5kw Denso
Audio	AM/FM radio with CD, two speaker
Headlamps	Integrated with turn signal and hazard lamps
Stop/Tail lamps	
Back-up lamps	
Side-flasher lamp	
Trucklite LED cab marker lamps	
Electric horn (dual)	

## CHASSIS EQUIPMENT

Fuel pre-filter	Davco 230 FuelPro® Heated fuel/water separator
Tow hook	One at front
Reflectors	Two rear, two front side
Air dryer	Heated, standard
Air tank	68 L

## OPTIONS

Rear shock absorbers	
Hendrickson air suspension*	
Electric central dump valve	
Cold weather package (includes)	
Heated mirrors	
Block heater	
Bendix Heated Air Dryer	
Front Bumper (three pieces)	
Front Bumper (three pieces with 4 inch extension/black)	
Front Bumper (4 inch extension/black)	
Front Bumper (chrome)	
Front Bumper (4 inch extension/chrome)	
Alternator – 12 V, 105 A, brushless	
Battery – 12 V GR31 x 2; GR31 x 3; GR27 x 3	
Fuel tank – dual 52 gal./US; 95 gal./US	
Tires – Front: rib, Rear: rib	
Air horn	
Air dryer – Bendix type without heater	
Exhaust system – Stack tail type; vertical stack	
Cloth seats	
Single passenger's seat – Adjustable reclining	
Chrome mirrors – heated/non-heated	
Exhaust brake – electric-pneumatic with valve in exhaust pipe	
Synthetic fluids – transmission/rear differential	
Cab paint – red or black	
Safety kit (fire extinguisher and triangle kit)	
Rear stabilizer	
Power windows	
Aluminum wheels	

\* Wheelbase specific

## ROADSIDE ASSISTANCE

HinoWatch (service free of charge)	3-year unlimited roadside assistance
	<ul style="list-style-type: none"> <li>• Lockout</li> <li>• Out of Fuel</li> <li>• Battery Jumpstart</li> <li>• Information</li> <li>• Warranty Towing</li> </ul>

## NOTE:

All specifications of the products are with normal manufacturing allowances and tolerances. HINO MOTORS SALES U.S.A., INC. reserves the right to alter specifications at any time without previous notice. Some optional items may require extra lead time.