

HINO 165

4 x 2 CONVENTIONAL

GVW: 16,000 lbs.

BBC: 98"

ENGINE MODEL: J05D-TF (Turbo Intercooled)

DIMENSIONS (On standard specification)

Wheelbase/code	A in.	147.0/F	169.0/J	183.0/K	201.0/M
Overall length	B in.	244.6	266.6	292.6	310.6
Overall width	C in.	90.4	90.4	90.4	90.4
Overall height	D in.	101.4	101.4	101.4	101.4
Cab to axle	E in.	83.6	105.6	119.6	137.6
Rear overhang	F in.	63.0	63.0	75.0	75.0
Frame height at:					
Front axle	G in.	30.1	30.1	30.1	30.1
Rear axle	H in.	34.1	34.1	34.1	34.1
Road clearance (at front axle)	J in.	7.1	7.1	7.1	7.1
Tread:					
Front	K in.	72.8	72.8	72.8	72.8
Rear	L in.	71.1	71.1	71.1	71.1
Turning radius:					
Tire	ft.	40.6	46.0	49.4	53.8
Wall to wall	ft.	43.4	48.8	52.2	56.6

ENGINE

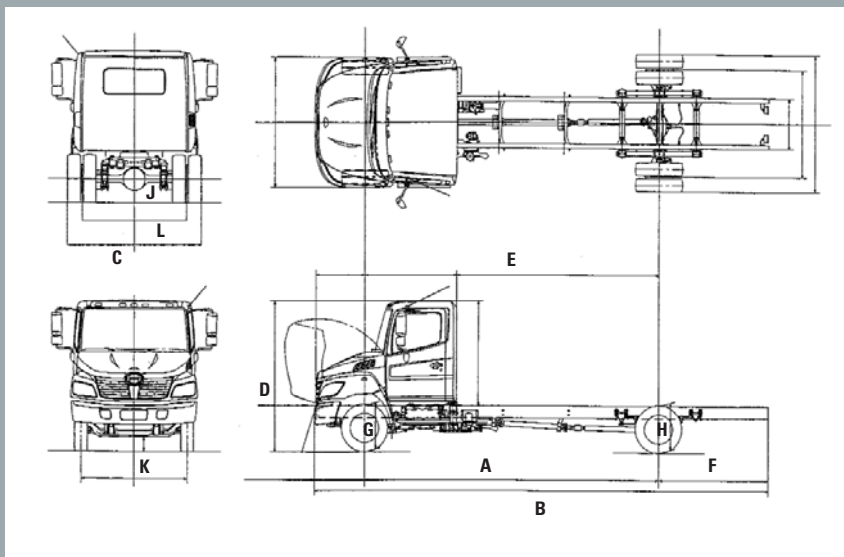
MODEL	HINO J05D-TF
Type	Diesel 4-cycle, 4-cylinder in-line, water-cooled
Combustion system	Direct injection type
Max. output (SAE Gross)	175 hp at 2,500 rpm
Max. torque (SAE Gross)	376 lb.-ft. at 1,600 rpm
Bore and stroke	4.41 x 4.72 in.
Piston displacement	4.730 L
Fuel injection pump	Radial plunger (HP-3)
Governor	Electronically controlled
Intake system	Turbocharged and intercooled
Air cleaner	Paper filter type (DONALDSON)
Fan clutch	Bimetal thermostat sensor regulates fan speed
Glow plugs	Standard
Air compressor	Single cylinder, 6.8 cfm @ 1,250 rpm

CHASSIS WEIGHTS (On standard specification)

MT	Total weight	lb.	7,070	7,160	7,220	7,250
	Front axle	lb.	4,665	4,780	4,840	4,880
	Rear axle	lb.	2,405	2,380	2,380	2,370
AT	Total weight	lb.	7,150	7,250	7,310	7,340
	Front axle	lb.	4,725	4,860	4,920	4,960
	Rear axle	lb.	2,425	2,390	2,390	2,380

POWERTRAIN & PERFORMANCE

16,000 lbs. GVW & 225/70R19.5 tires			
Powertrain		<input type="checkbox"/> STD.	<input type="checkbox"/> OPT.
Max. speed mph		76	80
Startability (tan.θ) %		54.2	56.3
Transmission	Model	Eaton FS4205A	ALLISON 1000 HS
	Type	Five-speed direct drive synchromesh 2nd-5th	Five-speed automatic
Ratios	1st.	8.052	3.102
	2nd.	4.352	1.811
	3rd.	2.448	1.406
	4th.	1.476	1.000
	5th.	1.000	0.712
	Rev.	8.052	4.492
Rear axle gear ratios		3.580	4.780



HINO 165

4 x 2 CONVENTIONAL

GVW: 16,000 lbs. BBC: 98"

ENGINE MODEL: J05D-TF (Turbo Intercooled)

WEIGHT CAPACITIES

Front axle	lbs.	6,250
Rear axle	lbs.	11,000
Front spring	lbs.	6,000
Rear spring	lbs.	12,000

LIQUID CAPACITIES

Fuel tank	gal./US	35
Cooling system		5.29 : Eaton FS4205A
	gal./US	5.16 : ALLISON 1000HS
Engine oil	qt./US	10.73

AXLE / SUSPENSION

Front axle	MFS-6 series reversed Elliot, "I" beam
Front spring	Taper-leaf springs w/shock absorbers
Rear axle	MS113 series Full-floating, single reduction Single-speed by hypoid gearings
Rear spring	Semi-elliptic main and auxiliary helper-leaf spring

FRAME

Ladder type		Straight C Channel
Width	in.	34
Yield strength	PSI	80,000
Resisting bending moment (one side)	in.-lbs.	655,100 no reinforcement

STEERING

Type	TRW-TAS40 recirculating ball with tilt and telescopic steering column
------	---

CLUTCH

Type	Dry single plate with damper springs EATON-SPICER AR350 series
Facing material	Cerametallic
Facing outside diameter in.	13.8
Control	Hydraulic

WHEELS / TIRES

6 Wheels	19.5 x 6.00RW 8-stud disc.
6 Tires	225/70R19.5 (F)
Pattern	Front rib/Rear lug

BRAKES

Service brake	Hydraulic system with disc brake for front and rear wheels, with automatic adjustment
Disc diameter x pad area x thickness in.	Front: 12.756 x 17.05 x 0.61
	Rear: 12.756 x 17.05 x 0.61
Control	Hydraulic dual circuit with Antilock Brake System (ABS)
Parking brake	Mechanical, internal expanding acting on transmission output shaft
Drum diameter in.	10 : MERITOR (auto)
	9 : BOSCH (manual)

CAB EQUIPMENT

Cab construction	All steel welded
Seating	Three-person
Driver's seat	Adjustable reclining, vinyl with coil suspension
Passenger's seat	Bench type, vinyl (two passenger)
Seat belts	3-point type (driver and passenger), one 2-point type (center)
A/C	134 Denso
Heater/Defroster	18,357 BTU/h
Mirrors outside rearview	Four; one flat and one convex at each side
Sun visors	Two – flip-down
Overhead compartment	Two with latching doors
Chrome grille	Standard
Windshield	Laminated
Windshield wipers	Dual electric, 2-speed and intermittent
Cup holders	Standard
Cigarette lighter	Standard
Coat hook	One (rear panel)
Door pockets	Two
Cruise control	Standard

DASH INSTRUMENTATION

Meters and gauges	
	Speedometer-mph (km/h)
	Odometer (mile)
	Fuel gauge
	Coolant temperature gauge
	Engine tachometer
Warning lamps and buzzers	
	Oil pressure warning lamp and buzzer
	Brake pressure warning lamp and buzzer
	Coolant level warning lamp and buzzer
	Battery charging system warning lamp
	High beam indicator lamp
	Turn signal indicator
	Parking brake warning lamp
	Engine control system warning lamp
	ABS warning lamp
Driver Information Display	
	Instant & trip fuel consumption
	DPR monitor
	Maintenance schedule
	Engine/vehicle diagnostics

ELECTRICAL EQUIPMENT

Batteries	Two, parallel connection, each 12 V
Capacity	1200 CCA
Alternator	12 V, 100 A, brush Delco
Starter	12 V 2.5kw Denso
Audio	AM/FM radio with CD, 2 speaker
Headlamps	Integrated with turn signal and hazard lamps
Stop/Tail lamps	
Back-up lamps	
Side-flasher lamp	
Trucklite LED cab marker lamps	
Electric horn (dual)	

CHASSIS EQUIPMENT

Fuel pre-filter	Racor fuel/water separator
Reflectors	Two rear, two front side
Tow hook	One at front
Air dryer	NABCO, heated
Air tank	49 L

OPTIONS

Front stabilizer	
Rear shock absorbers	
Cold weather package (including)	
	Heated mirror
	Heated pre-filter and sedimenter
	Block heater
Power windows	
Front bumper (4 inch extension black)	
Front bumper (chrome)	
Front bumper (4 inch extension/chrome)	
Alternator – 12 V, 105 A, brushless	
Battery – 12 V GR27 x 3	
Tires – Front rib, Rear rib	
Fender mounted mirrors	
Cloth seats	
Single passenger's seat – adjustable reclining	
Chrome mirrors	
Safety kit (fire extinguisher and triangle kit)	
Exhaust brake – Electric-pneumatic with valve in exhaust pipe	
Synthetic fluids – transmission/rear differential	

ROADSIDE ASSISTANCE

HinoWatch (service free of charge)	3-year unlimited roadside assistance
	<ul style="list-style-type: none"> • Lockout • Out of Fuel • Battery Jumpstart • Information • Warranty Towing

NOTE:

All specifications of the products are with normal manufacturing allowances and tolerances. HINO MOTORS SALES U.S.A., INC. reserves the right to alter specifications at any time without previous notice. Some optional items may require extra lead time.